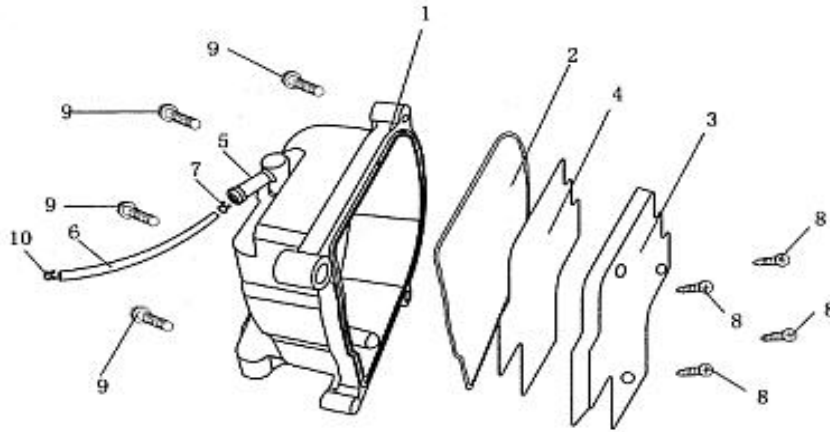
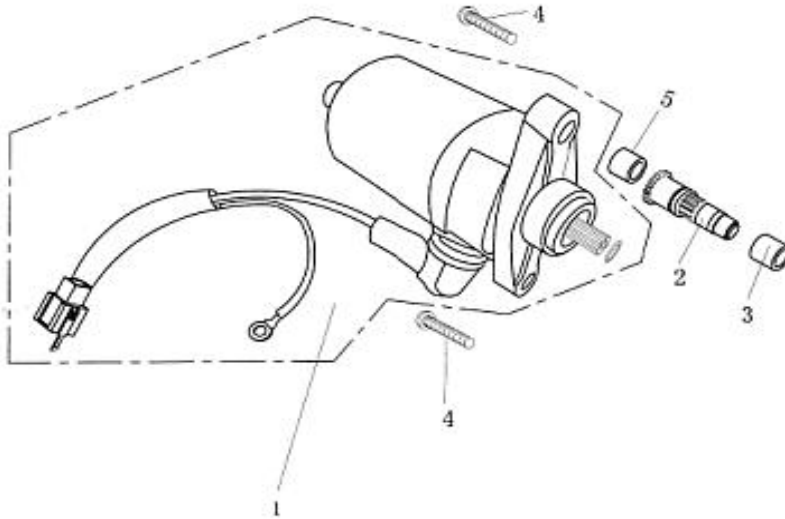


E-1



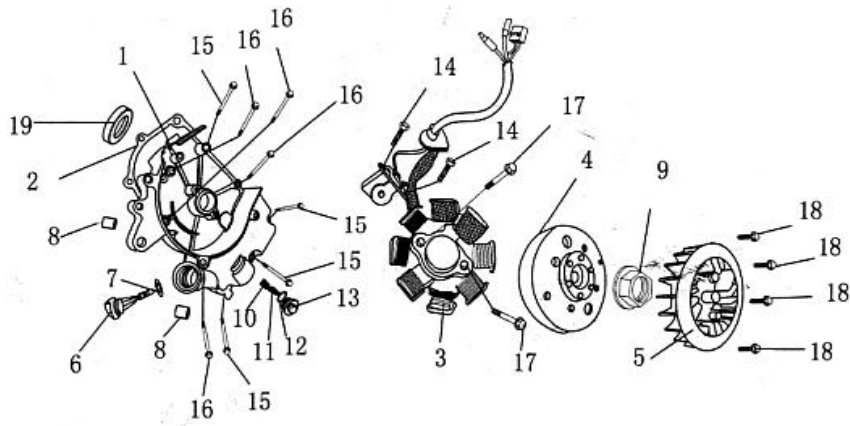
Ser. No.	Description	SFM No.	Reqd.No.
1	Cover,Cylinder Head	P402490500200010	1
2	Gasket,Head Cover	P402490500200020	1
3	Oil Stop Board,Head Cover,	F-12312-FYDQ-000	1
4	Gasket,Oil Stop Board	P402490500200040	1
5	Jointing Pipe	F-12311-FYDQ-000	1
6	Vent Pipe	F-11211-FYDQ-000	1
7	Clip Φ 8.5	P402490500200070	1
8	Tapping Screw ST4*6	P402490500200080	4
9	Flange Bolt M6*25	P4064905002000340	4
10	Clip Φ 12	P402490500200100	1

E-2



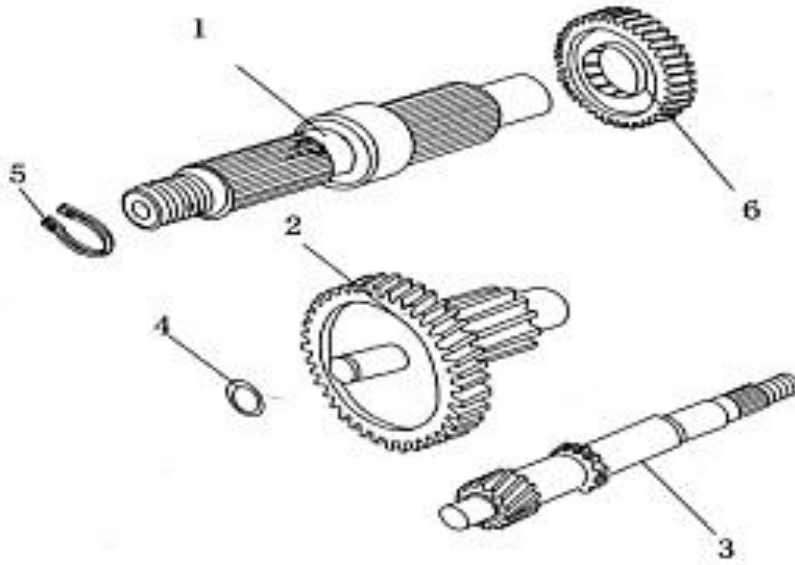
Ser. No.	Description	SFM No.	Reqd.No.
1	Starting Motor Assy.	P402490500200110	1
2			1
3	Bush 8*12*10	P402490500200130	1
4	Flange Bolt M6*25	F-GB57878606025B	2
5	Bush 8*12*9	P402490500200150	1

E-3



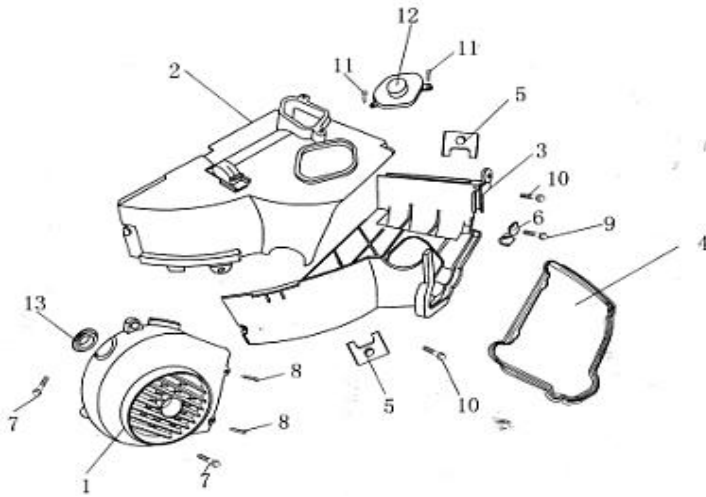
Ser. No.	Description	SFM No.	Reqd.No.
1	Right Crank Case Assy.	P402490500400040	1
2	Gasket, Right Crankcase	P402490500200170	1
3	Stator Coil Assy.	P402490500200180	1
4	Fly Wheel Comp.	P402490500200190	1
5	Cooling Fan	P402490500400100	1
6	Oil Gauge	P402490500200210	1
7	O-ring 18*30	P402490500200220	1
8	Pin 8*14	P4064905002000170	1
9	Flange Nut M10	P402490500200240	1
10	Oil Filter	F-15160-FYDQ-000	1
11	Spring, Oil Filter	F-15172-FYDQ-000	1
12	O-ring 30*3	P402490500200270	1
13	Plug,Oil Filter	F-15171-FYDQ-000	1
14	Hexagon Bolt M5*12	F-90112-FYDQ-05W	1
15	Flange Bolt M6*100	P402490500400330	4
16	Flange Bolt M6*85	P402490500400310	4
17	Flange Bolt M6*22	P402490500400280	2
18	Flange Bolt M6*16	P402490500400340	4
19	Oil Seal 30*16.4*5	P402490500400160	1

E-4



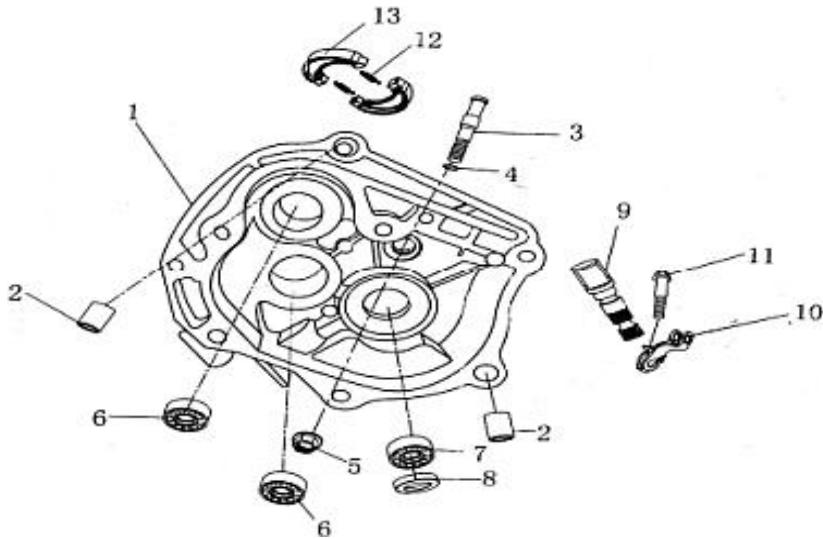
Ser. No.	Description	SFM No.	Reqd.No.
1	Final Shaft	P402490500200350	1
2	Auxiliary Shaft Comp.	P402490500200360	1
3	Driving Shaft	P402490500200370	1
4	Washer 12*20*1.5	P402490500200380	1
5	O-ring 19*1	P402490500200390	1
6	Final Gear	P402490500200400	1

E-5



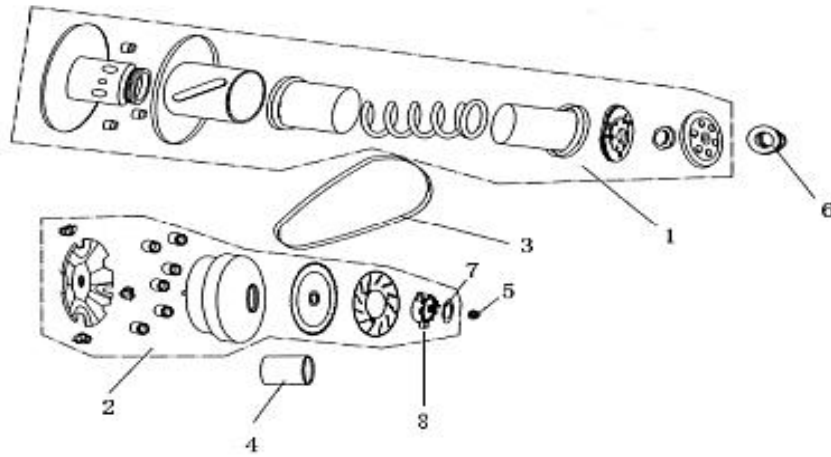
Ser. No.	Description	SFM No.	Reqd.No.
1	Cooling Fan Cover	P402490500200410	1
2	Top Cover	P402490500200420	1
3	Bottom Cover	P402490500200430	1
4	Gasket,Cover	P402490500400110	1
5	Clip Nut	P402490500200450	2
6	Clamp	F-90562-FYDQ-000	1
7	Flange Bolt M6*25	F-GB57878606025B	2
8	Tapping Screw 5*16	P402490500200480	2
9	Flange Bolt M6*25	F-GB57878606025B	1
10	Flange Bolt M6*16	P402490500400340	2
11	Tapping Screw 3*10	P402490500200510	2
12	Adjuster Lid	P402490500200520	1
13	Rubber Plug,Fan Cover	P402490500200530	1

E-6



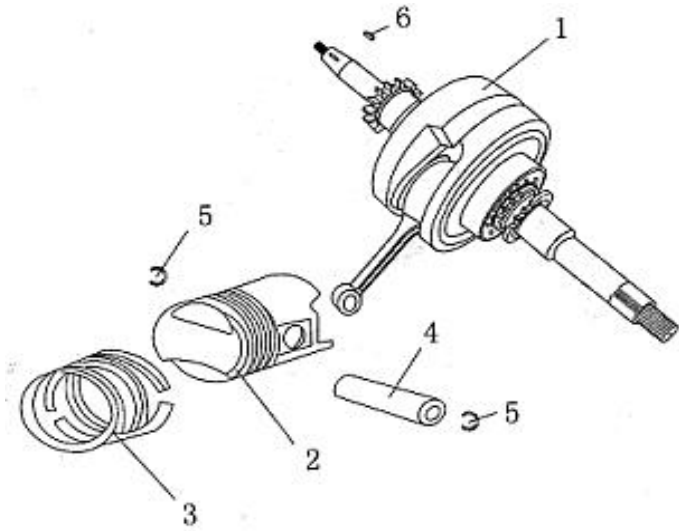
Ser. No.	Description	SFM No.	Reqd.No.
1	Cover,Gear Case	P402490500200540	1
2	Position Pin 10*20	P402490500400150	2
3	Support Shaft,Brake Shoes	F-11269-FYDQ-000	1
4	O-ring 7.5*1.5	P402490500200570	1
5	Locknut M8*1	P402490500200580	1
6	Bearing 6201	P402490500400180	2
7	Bearing 6004	P402490500400170	1
8	Oil Seal 27*42*7	F-90827-FYDQ-000	1
9	Camshaft, Rear Brake	F-11265-FYDQ-000	1
10	Rocker,Rear Brake	P402490500400030	1
11	Flange Bolt M6*40	P402490500400370	1
12	Return Spring,Brake Shoes	P402490500200650	2
13	Rear Brake Shoes Comp.	F-11240-FYDQ-000	1

E-7

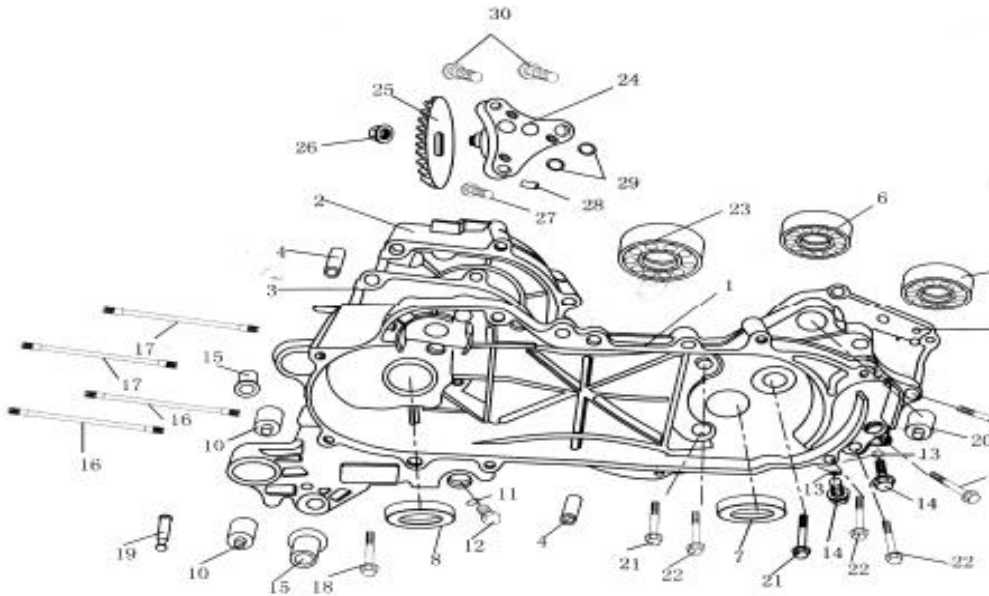


Ser. No.	Description	SFM No.	Reqd.No.
1	Driven Pulley Assy.	P402490500200670	1
2	Drive Pulley Assy.	P402490500200680	1
3	Driving Belt	P402490500400120	1
4	Bushing, Drive Plate	P402490500200700	1
5	Flange Nut M12	P402490500400390	1
6	Flange Nut M10	P402490500200240	1
7	Washer 12*24*2	P406460500202010	1
8			

E-8



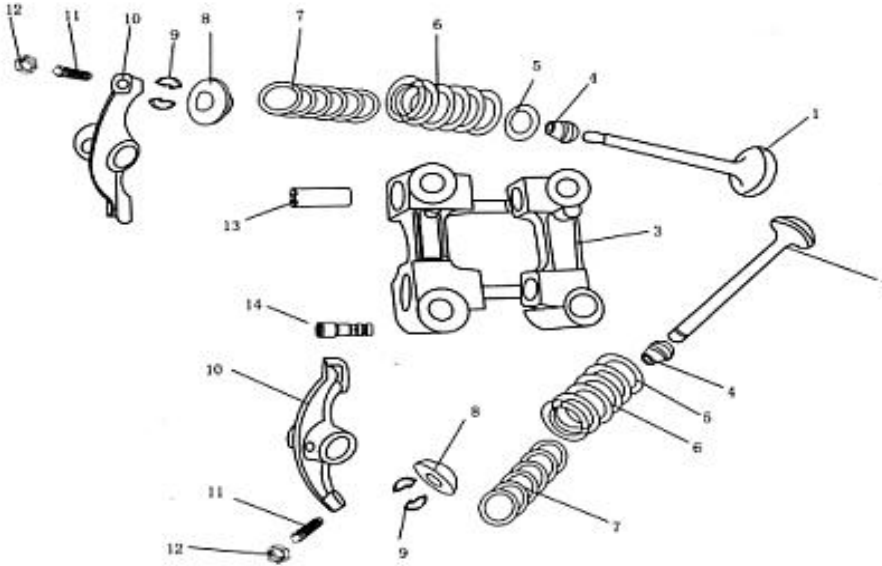
Ser. No.	Description	SFM No.	Reqd.No.
1	Crankshaft Assembly	P402490500200740	1
2	Piston	P402490500200750	1
3	Piston Ring Set	P402490500200760	1
4	Piston Pin	P402490500200770	1
5	Clip Ring, Piston Pin	P402490500200780	2
6	Semicircular Key	P402490500200790	1



Ser. No.	Description	SFM No.	Reqd.No.
1	Left Crankcase	P402490500400020	1
2	Right Crankcase	P402490500400010	1
3	Gasket,Crankcase	P402490500200820	1
4	Dowel Pin 8*14	P4064905002000170	2
5	Bearing 6203	P402490500400200	1
6	Bearing 6201	P402490500400180	1
7	Oil Seal 17*30*5	P402490500200860	1
8	Oil Seal 19.8*30*5	F-90719-FYDQ-000	1
9	Gasket,Deceleration Gear Case	P402490500200880	1
10	Bushing	F-11126-FYDQ-000	2
11	Aluminum Washer 12*18*2	P402490500200900	1
12	Discharge Bolt 12*14	P402490500200910	1
13	Washer $\phi 8 \times 17.5 \times 1.3$	P402490500200920	2
14	Flange Bolt M8*14	P402490500400230	2
15	T Bushing	P402490500200940	2
16	Stud Bolt M7*176	P402490500400410	2
17	Stud Bolt M7*168	P402490500400400	2
18	Flange Bolt M6x45	P402490500400300	1
19	Shaft Pin	P402490500400250	1
20	Bushing	P402490500200990	1
21	Flange Bolt M8x35	F-5787-86-08035-B	2
22	Flange Bolt M8x40	P402490500400370	5

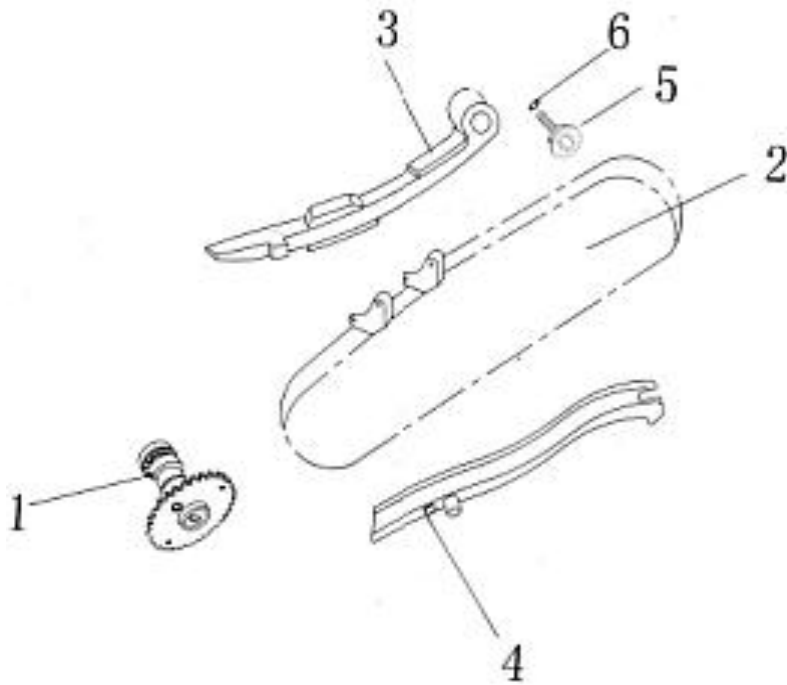
23 Bearing 6203A/42	P402490500400210	1
24 Oil Pump Assembly	P402490500201030	1
25 Drive Gear,Oil Pump	P402490500201040	
26 Flange Nut M6*6	P402490500400240	1
27 Flange Bolt M6*25	F-GB57878606025B	1
28 Dowel Pin $\phi 8 \times 12$	P4064905002000160	1
29 O-ring 9*1.5	P402490500201080	2
30 Flange Bolt M6x22	P402490500400220	2

E-10



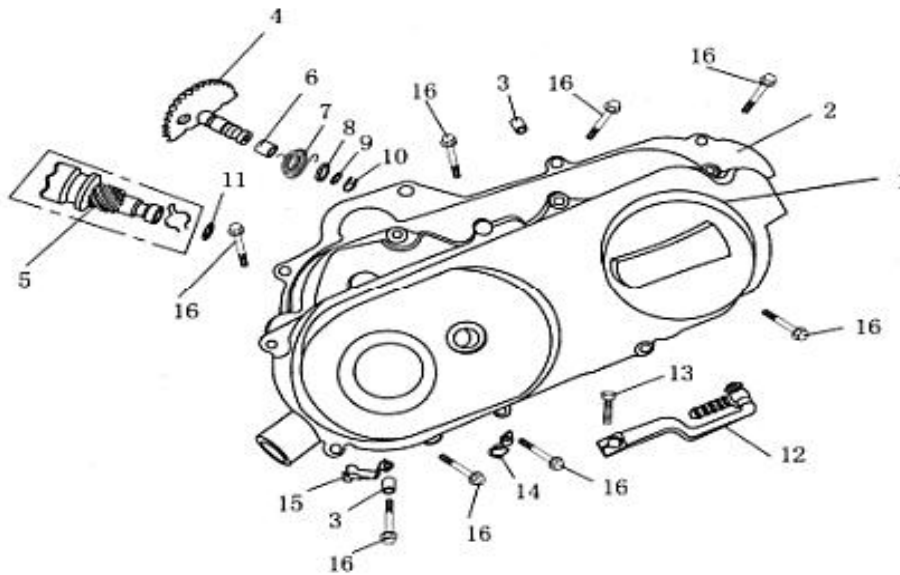
Ser. No.	Description	SFM No.	Reqd.No.
1	Intake Valve	P402490500201100	1
2	Exhaust Valve	P402490500201110	1
3	Swing Arm Bracket	P402490500201120	1
4	Oil Seal, Valve	P402490500201130	2
5	Washer, Outer Spring	P402490500201140	2
6	Valve Outer Spring	P402490500201150	2
7	Valve Inner Spring	P402490500201160	2
8	Valve Spring Seat	P402490500201170	2
9	Valve Nip	P402490500201180	4
10	Swing Arm	P402490500201190	2
11	Adjusting Screw, Valve	P402490500201200	2
12	Lock Nut, Valve	P402490500201210	2
13	Swing Arm Shaft, Intake Valve	P402490500201220	1
14	Swing Arm Shaft, Exhaust Valve	P402490500201230	1

E-11



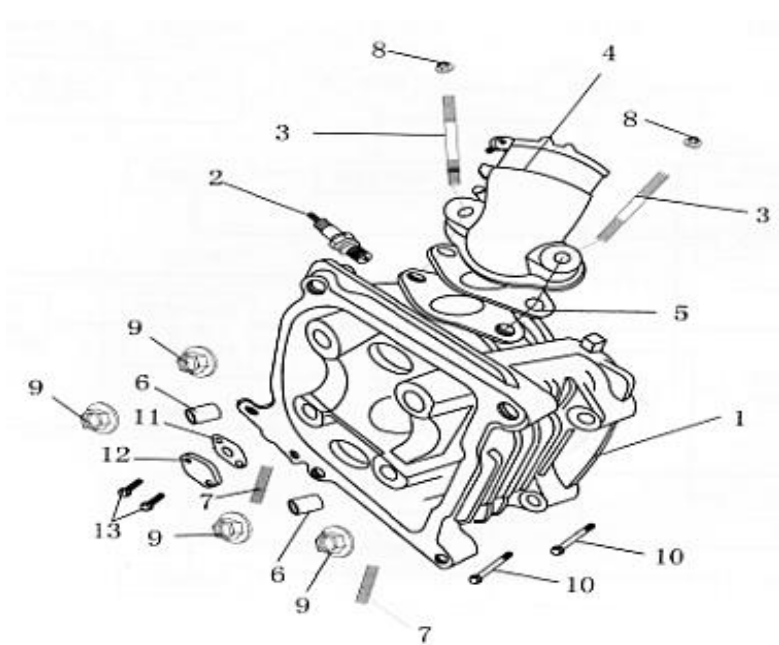
Ser. No.	Description	SFM No.	Reqd.No.
1	Camshaft Comp.	P402490500400080	1
2	Timing Chain	P402490500400090	1
3	Tensioning Strip	P402490500201260	1
4	Guide Strip	P402490500201270	1
5	Bolt,Tensioning Strip	P402490500201280	1
6	O-ring 15*1.5	P402490500201290	1

E-12



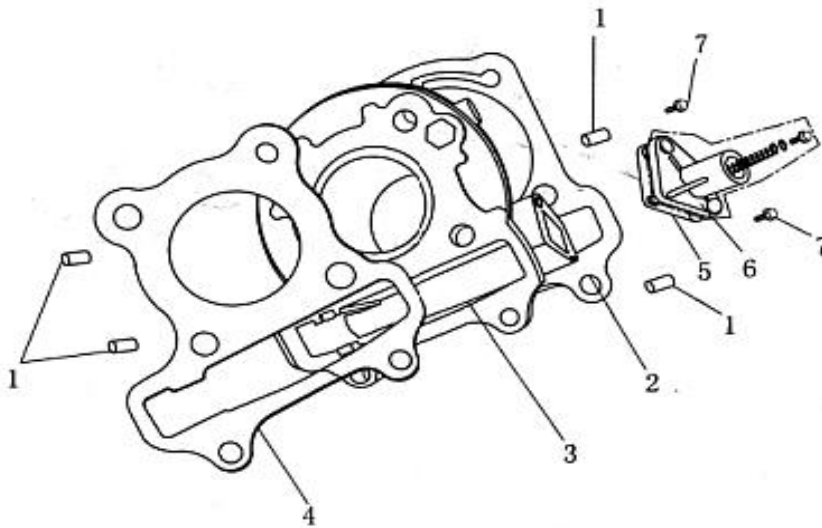
Ser. No.	Description	SFM No.	Reqd.No.
1	Left Crankcase Cover	P402490500400050	1
2	Gasket,Crankcase	P402490500400060	1
3	Dowel Pin 8*14	P4064905002000170	2
4	Starting Shaft Comp.	P402490500400130	1
5	Worm Shaft Comp.	P402490500201340	1
6	Bushing	P402490500201350	1
7	Return Spring,Starting Shaft	P402490500400140	1
8	Cushion Washer	P402490500201370	1
9	Flat Washer 15*22*1	P402490500201380	1
10	Clip Ring 13*1	P402490500201390	1
11	Flat Washer 10*14*1	P402490500201400	1
12	Kick Starter Comp.	P4064905001000410	1
13	Hexagon Bolt M6*22	P402490500201420	1
14	Clamp Plate	P402490500201430	1
15	Clamp Plate	P402490500201440	1
16	Flange Bolt M6*35	P402490500400290	8

E-13



Ser. No.	Description	SFM No.	Reqd.No.
1	Cylinder Head	P402490500201460	1
2	Spark Plug	P402490500201680	1
3	Stud Bolt M6*62	F-90462-FYDQ-00W	2
4	Intake Pipe	P402490500201490	1
5	Insulator Board	P402490500201500	1
6	Dowel Pin 7*8*14	P402490500201510	2
7	Stud Bolt M6*32	F-90432-FYDQ-00W	2
8	Flange Nut M6	P402490500400260	2
9	Flange Nut M7	P402490500201540	4
10	Flange Bolt M6*85	P402490500400310	2
11	Gasket,Standby Hole Plate	P402490500201630	1
12	Plate,Standby Hole	P402490500201640	1
13	Flange Bolt M6*16	P402490500400340	2

E-14



Ser. No.	Description	SFM No.	Reqd.No.
1	Dowel Pin 7*8*14	P402490500201510	4
2	Gasket,Cylinder Block	P402490500400070	1
3	Cylinder Block	P402490500201580	1
4	Gasket,Cylinder Head	P402490500201590	1
5	Timing Chain Tensioner Gasket	P402490500201600	1
6	Timing Chain Tensioner Assembly	P402490500201610	1
7	Flange Bolt M6*18	P402490500400270	2