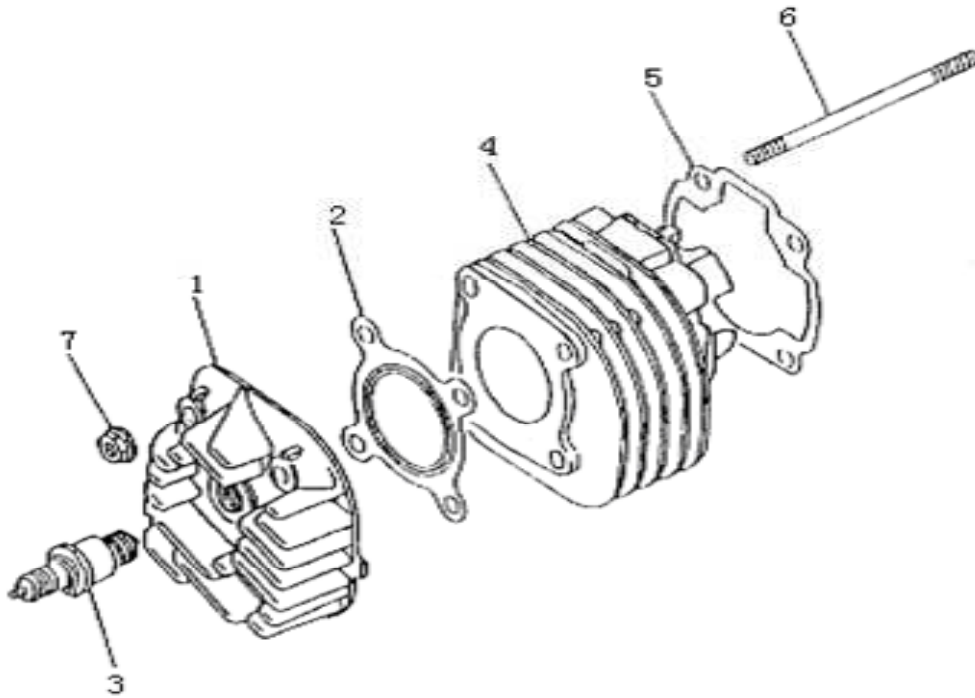
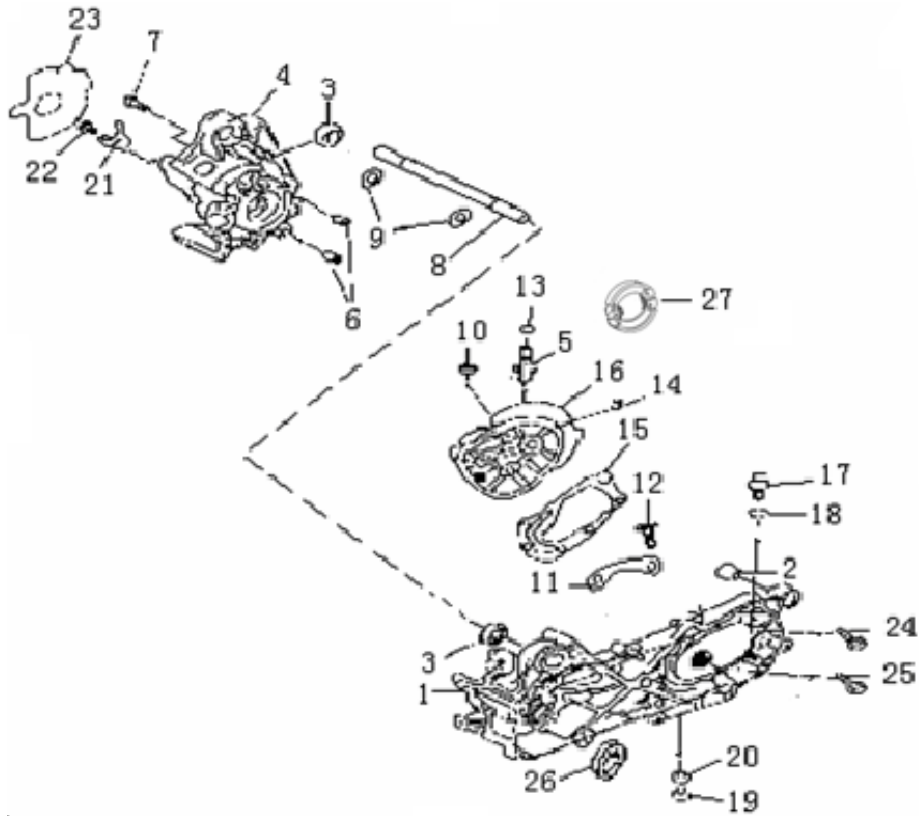


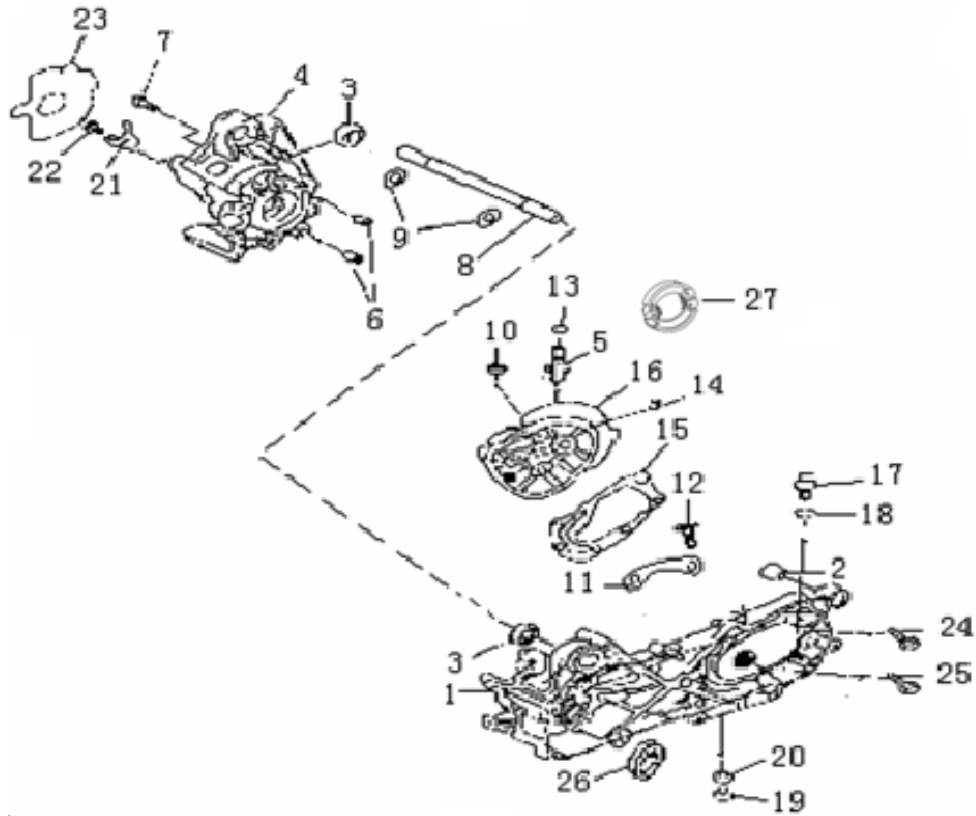
E-1



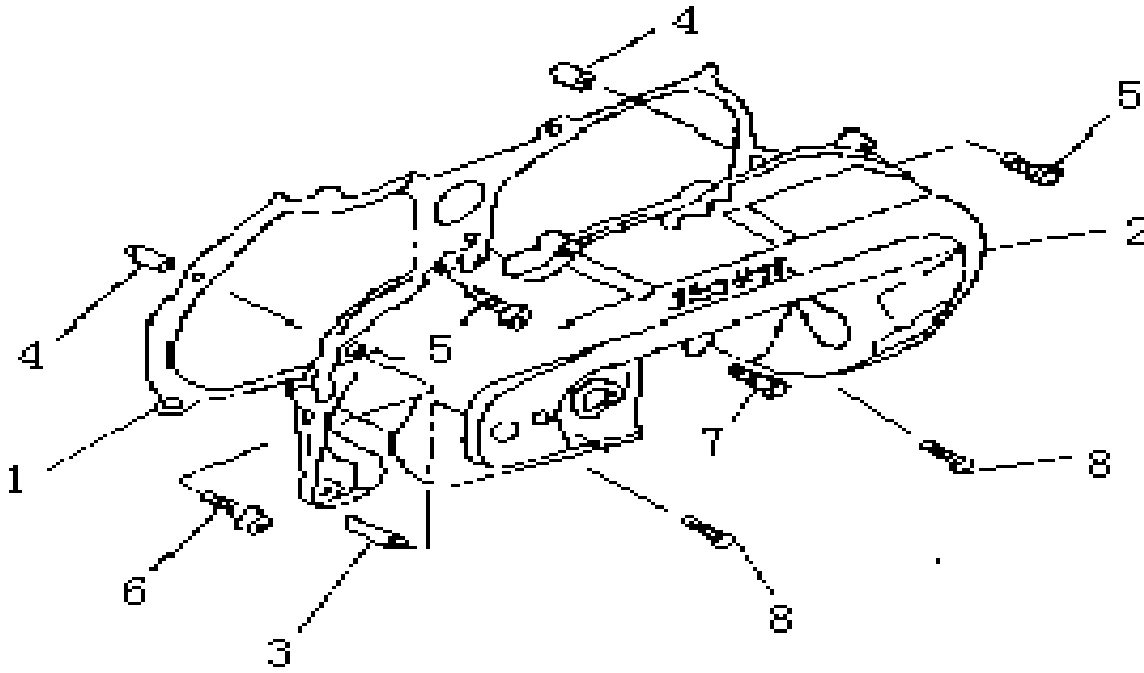
NO	Number	DESCRIPTION	QTY
1	P402550500400020	HEAD, CYLINDER	1
2	P402550500200410	GASKET, CYLINDER HEAD	2
3	P009273860003000	SPARK PLUG	1
4	P402550500400030	CYLINDER	1
5	P402550500200420	GASKET, CYLINDER	1
6	P402550500201530	STUD BOLT	4
7	F-GB6177.1-86-07-B	NUT	4



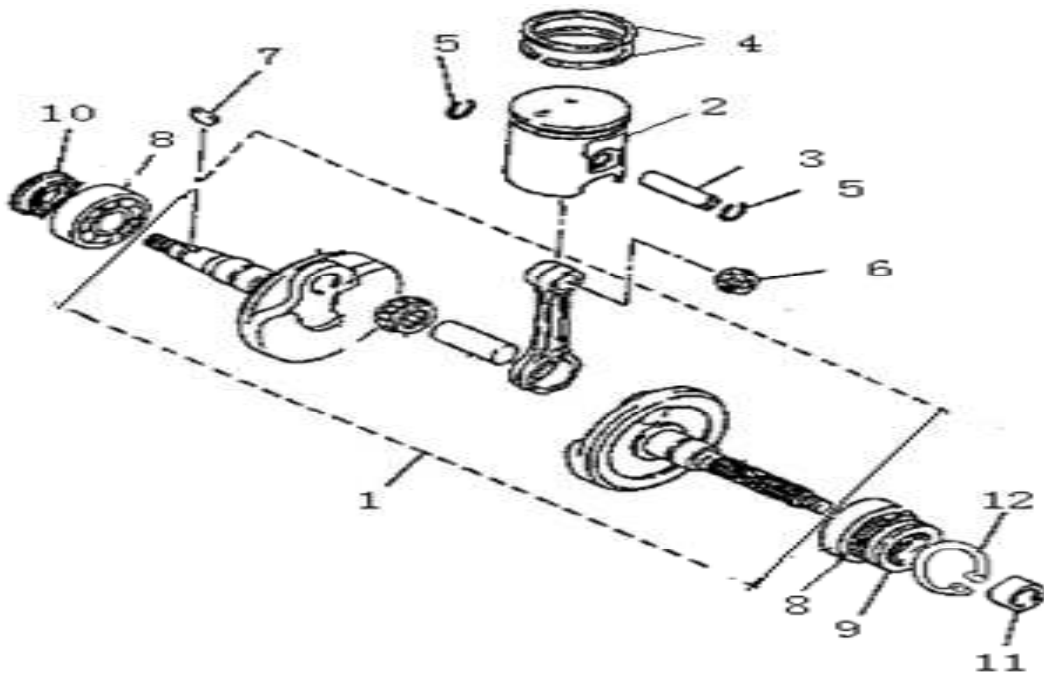
NO	Number	DESCRIPTION	QTY
10	F-90208-FYDQ-01W	NUT M8	1
11	P402550500201030	BEARING HOLDER	1
12	P4064905002002550	PAN HEAD SCREW M6X12	2
13	F-90768-FYXF-000	O-RING	1
14	P402550500200220	DOWEL PIN 12X16	2
15	P402550500200800	GASKET, GEAR BOX	1
16	P402550500200790	COVER, GEAR BOX	1
17	P402550500200010	OIL PLUG	1
18	P402550500200300	O RING	1



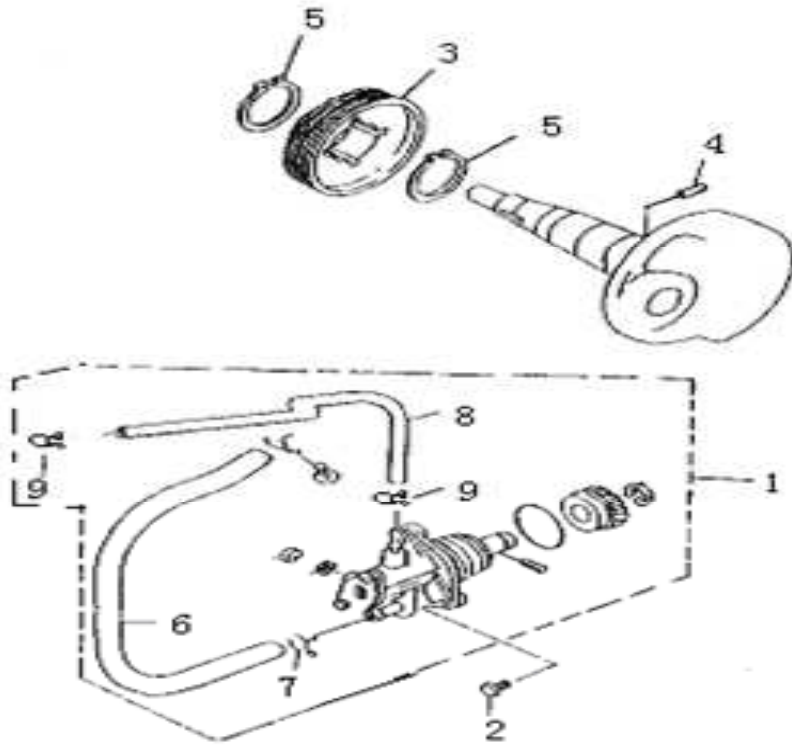
NO	Number	DESCRIPTION	QTY
19	P402500500200300	FLANGE BOLT M8X16	1
20	P402550500200100	PLATE WASHER 8	1
21	P402550500200610	OIL SEAL HOLDER	1
22	F-GB57878606012C	PAN HEAD SCREW M6X12	1
23	P402550500201190	GASKET	1
24	P402550500201360	SCREW M8X55	2
25	P402550500201350	SCREW M8X50	5
26	P402550500200780	bush	1
27	P402550500201590	Rear Brake shoe comp	1



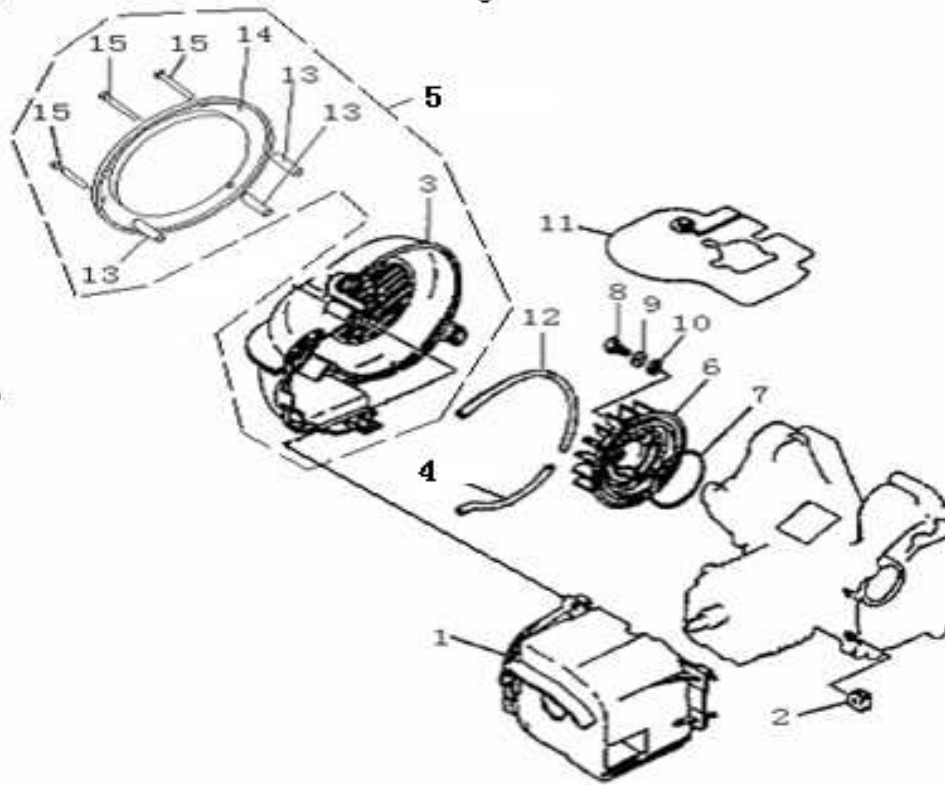
NO	Number	DESCRIPTION	QTY
1	P402550500200590	GASKET,L CRANKCASE	1
2	P402550500400090	L CRANKCASE COVER	1
3	P402550500201130	IDLE GEAR	1
4	P402550500200210	DOWEL PIN	2
5	P4064905002000340	PAN HEAD SCREW M6X25	8
6	P4064905002003110	PAN HEAD SCREW M6X35	1
7	P4064905002001040	PAN HEAD SCREW M6X65	1
8	P402550500400150	PAN HEAD SCREW	2



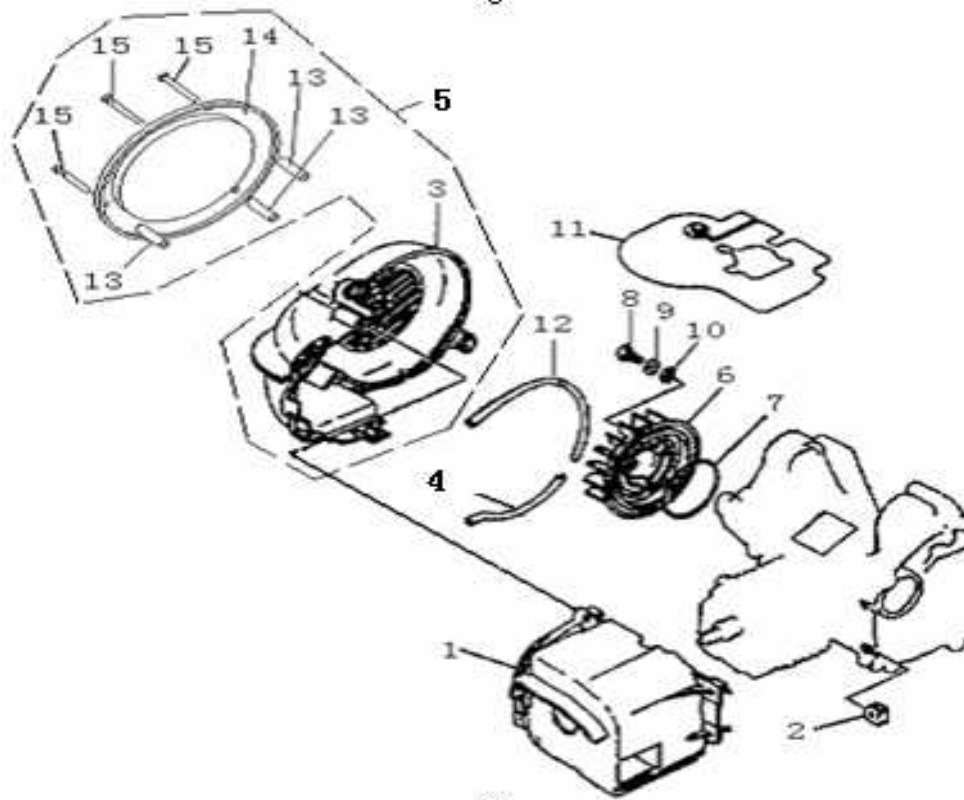
NO	Number	DESCRIPTION	QTY
1	P402550500400080	CRANKSHAFT, ASSY	1
2	P402550500400040	PISTON ASSY	1
3	P402550500400050	PISTON PIN	1
4	P402550500400070	PISTON RING	2
5	P402550500400060	CIRCLIP	2
6	P402550500400100	NEEDLE BEARING	1
7	P402550500200490	WOODRUFF KEY	1
8	P402550500200080	BALL BEARING	2
9	P402550500200340	OIL SEAL	1
10	P402550500200330	OIL SEAL ASSY	1
11	P402550500200170	COLLAR	1
12	P402550500400160	CIRCLIP	1



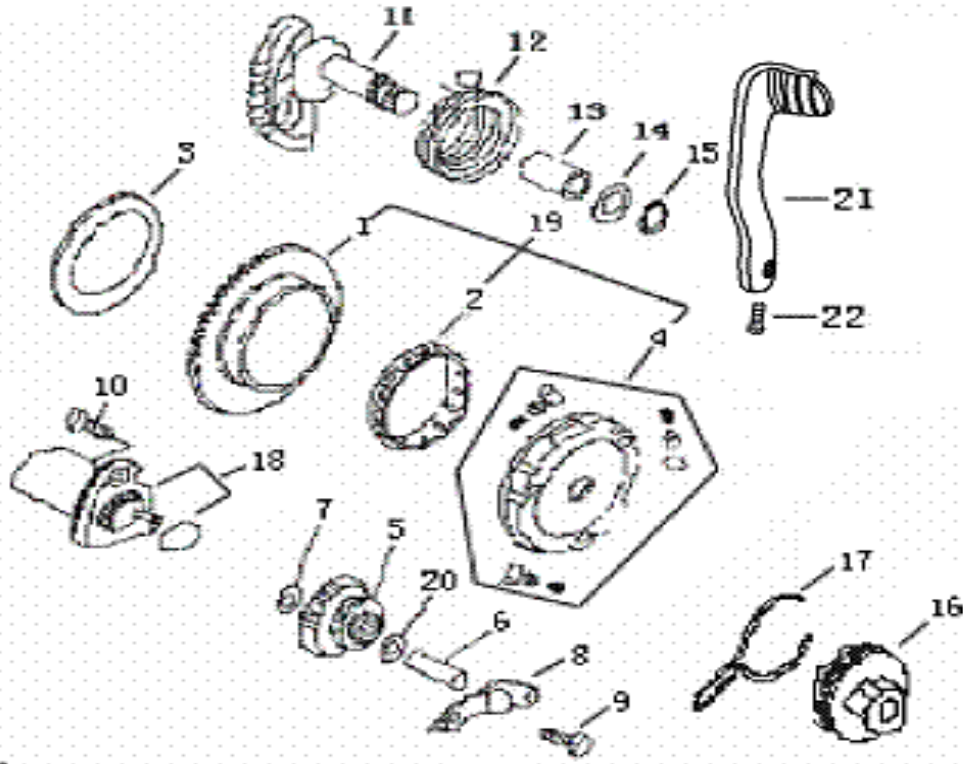
NO	Number	DESCRIPTION	QTY
1	P402550500200640	OIL PUMP ASSY	1
2	P402550500201440	SCREW	2
3	P402550500200650	PUMP DRIVE GEAR	1
4	P402550500200200	PIN	1
5	P402550500201490	CIRCLIP	2
6	P402550500200630	HOSE,OIL INLET	1
7	P402550500200240	HOSE CLIP	2
8	P402550500200620	HOSE,OIL OUTLET	1
9	P402550500200250	HOSE CLIP	2



NO	Number	DESCRIPTION	QTY
1	P402550500200730	COWLING,cylinder	1
2	P402550500200570	GROMMET	2
3	P402550500200700	COELING,fan	1
4	P402550500200670	BEADING (RUBBER)	1
5	P402550500200690	COVER ASSY (FAN)	1
6	P402550500200660	FAN ASSY	1
7	P402550500200290	RUBBER RING 70X3.1	1
8	P402490500200330	SCREW M6X16	3
9	P406460500101700	SPRING WASHER ϕ 6	3
10	P402550500201540	WASHER ϕ 6	3

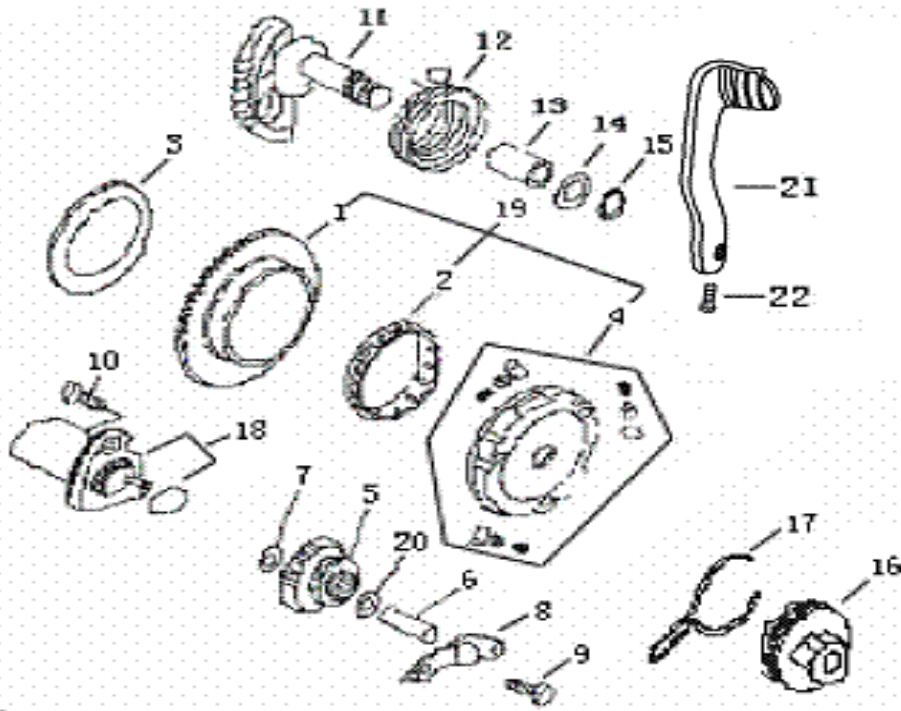


NO	Number	DESCRIPTION	QTY
11	P402550500201570	DUST COVER (RUBBER)	1
12	P402550500200680	BEADING (RUBBER)	1
13	P402550500200710	COLLOR	3
14	P402550500200720	COVER	1
15	P402550500201450	SCREW M4X35	3

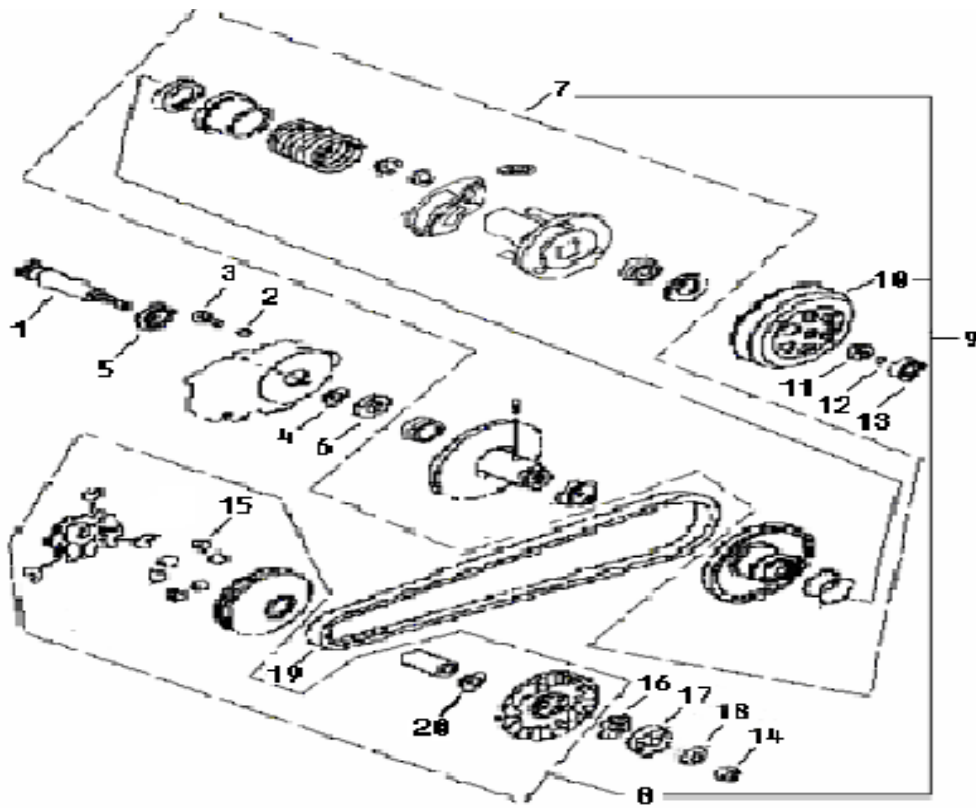


NO	Number	DESCRIPTION	QTY
1	P402550500200750	START GEAR ASSY	1
2	P402550500200370	NEEDLE BEARING	1
3	P402550500200190	THRUST WASHER	1
4	P402550500200760	STARTER CLUTCH ASSY.COMP	1
5	P402550500201100	DRIVEN GEAR,STARTER	1
6	P402550500201070	IDLE GEAR SHAFT	1
7	P402550500200130	PLATE WASHER	1
8	P402550500201140	IDLE GEAR HOLDER	1
9	F-90111FYDFG000	SCREW	2
10	P406780500102010	SCREW	2

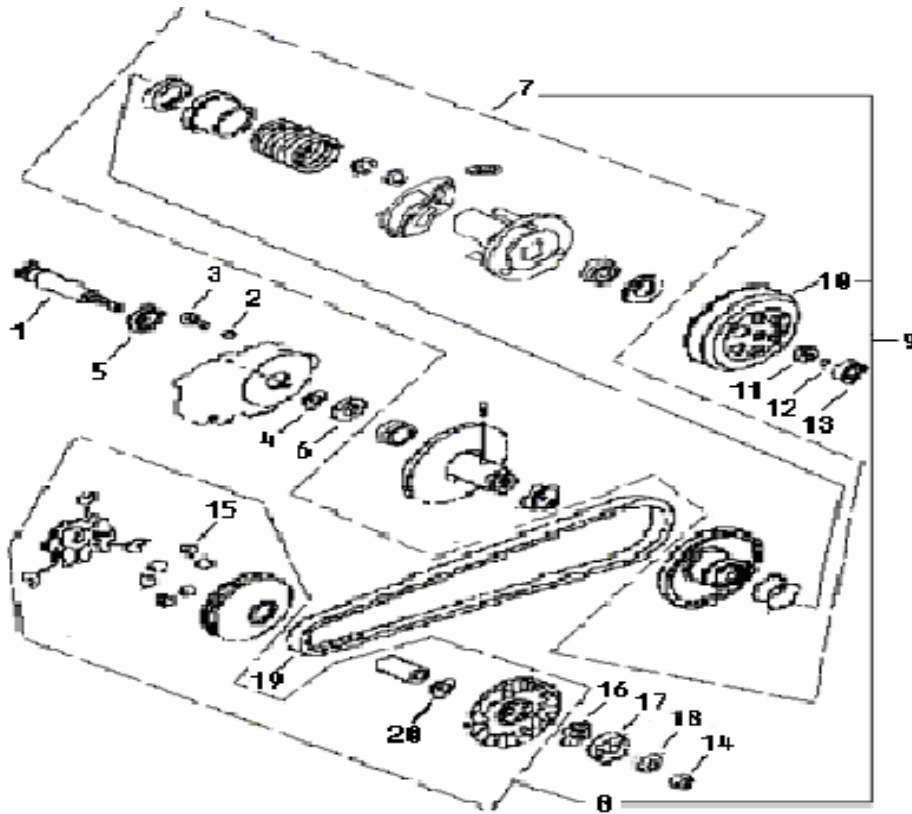
E-7



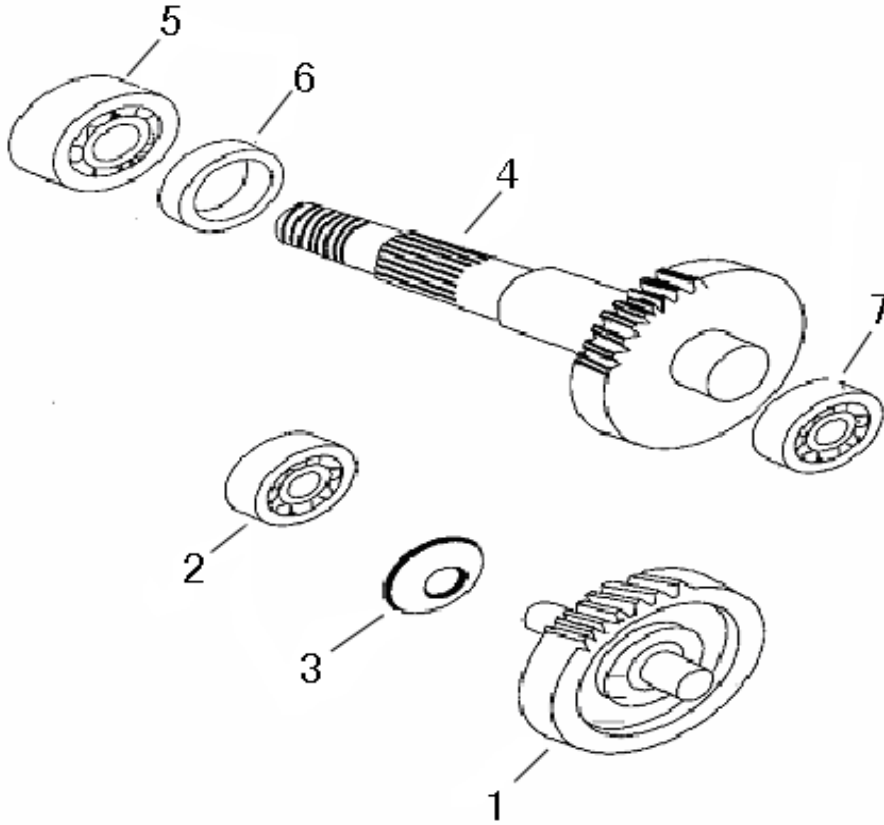
NO	Number	DESCRIPTION	QTY
11	P402550500201090	SHAFT, kick starter	1
12	P402550500200040	SPRING	1
13	P402550500201120	BUSH	1
14	P402550500200160	WASHER ,kick starter	1
15	P402550500201460	CIRCLIP	1
16	P402550500201110	KICK PINION ASSY	1
17	P402550500201080	CLIP	1
18	P402550500201060	STARTING MOTOR ASSY	1
19	P402550500200260	START CLUTCH ASSY, COMP.	1
20	P402550500200120	PLATE WASHER	1
21	P402530500102740	kick starter	
22	P402550500400140	Bolt	



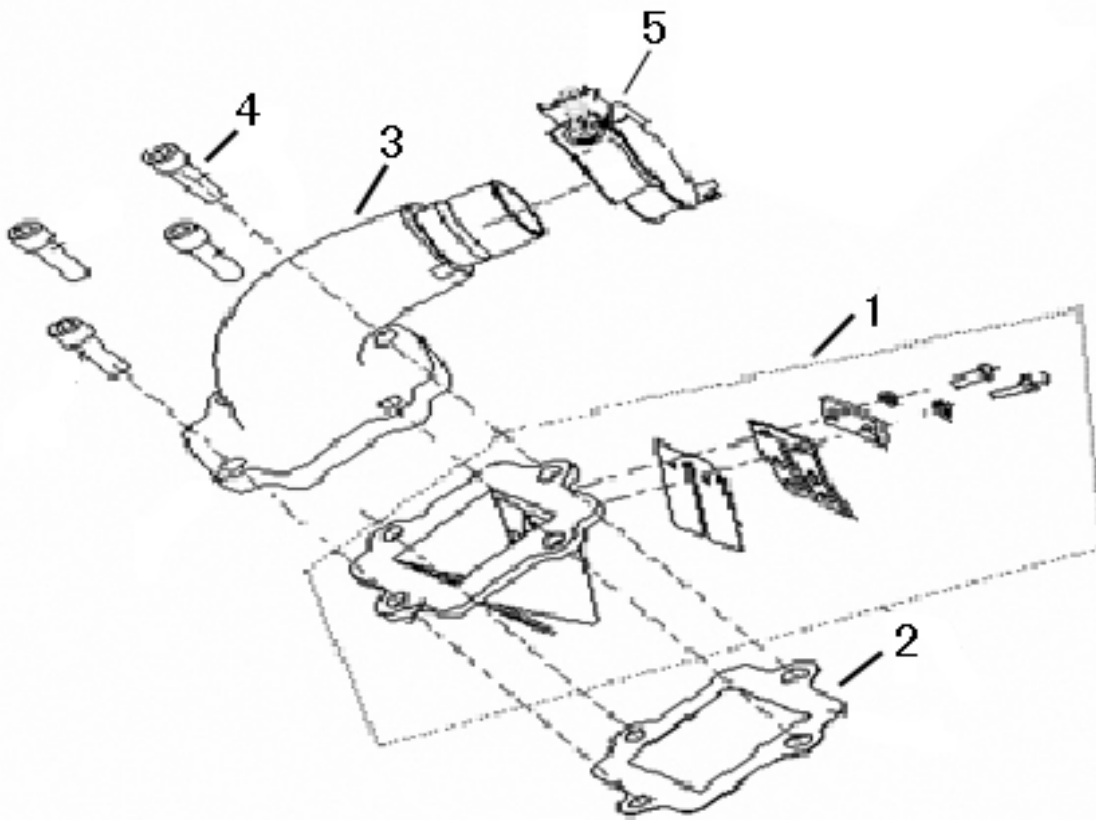
NO	Number	DESCRIPTION	QTY
1	P402550500201020	PRIMARY DRIVE SHAFT	1
2	P402550500200100	PLATE WASHER	1
3	P402550500201390	PAN HEAD SCREW	1
4	P402550500201470	CIRCLIP	1
5	P401990500100120	BEARING 6203	1
6	P402550500200310	OIL SEAL	1
7	P402550500200960	DRIVEN PULLY and CLUTCH ASSY	1
8	P402550500400110	DRIVE ASSY	1
9	P402550500200930	SHIFT ASSY	1



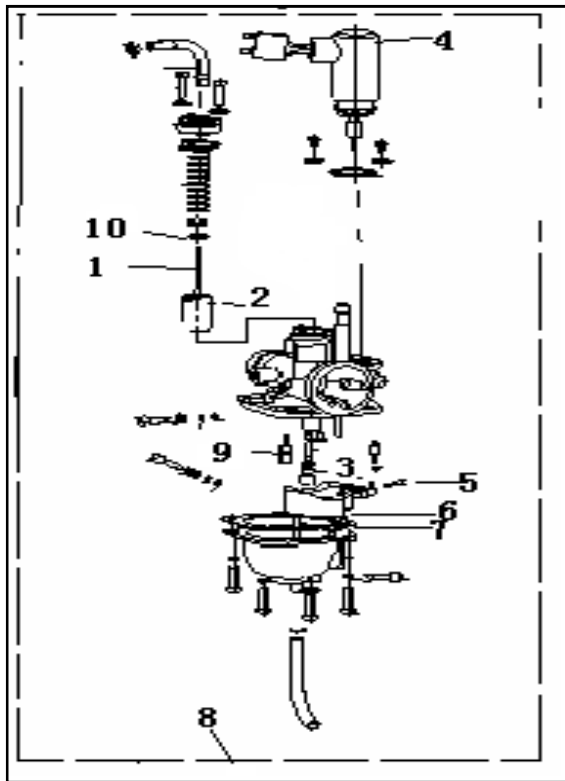
NO	Number	DESCRIPTION	QTY
10	P402550500200980	CLUTCH DRUM	1
11	P402550500200740	NUT	1
12	P402550500200270	O-RING	1
13	P402550500200090	BEARING 638Z	1
14	P402550500400170	NUT	1
15	P402550500400120	ROLLER	6
16	P402550500200030	PLATE, WOODRUFF KEY	1
17	P402550500200020	STARTING DISC	1
18	P402550500200140	WASHER, SPRING	1
19	P402550500200860	V BELT, DRIVE	1



NO	Number	DESCRIPTION	QTY
1	P402550500201040	SHAFT, IDLE	1
2	P402550500200060	BEARING 6200	1
3	P402550500200150	WASHER, PLANE	1
4	P402550500201050	DRIVEN SHAFT(GEAR BOX)	1
5	P401990500100100	NEEDLE BEARING	1
6	P402550500200350	OIL SEAL	1
7	P402550500200070	NEEDLE BEARING	1



NO	Number	DESCRIPTION	QTY
1	P402550500200460	REED VALVE ASSY	1
2	P402550500200470	VALVE SEAT GASKET	1
3	P402550500200450	PIPE,INTAKE	1
4	P406780500102010	SCREWM6X20	4
5	P402550500200480	CLAMP HOSE ASSY	1



NO	Number	DESCRIPTION	QTY
1	P402550500201240	NEEDLE, jet	1
2	P402550500201250	VALVE,PISTON	1
3	P402550500201210	JET, main	1
4	P402550500201290	ENRICH VALVE	1
5	P402550500201280	PIN, float	1
6	P402550500201270	FLOAT	1
7	P402550500201230	GASKET	1
8	P402550500100250	CARBURETOR ASSY	1
9	P402550500201220	JET, idle	1
10	P402550500201260	CLIPMM,V shape	1